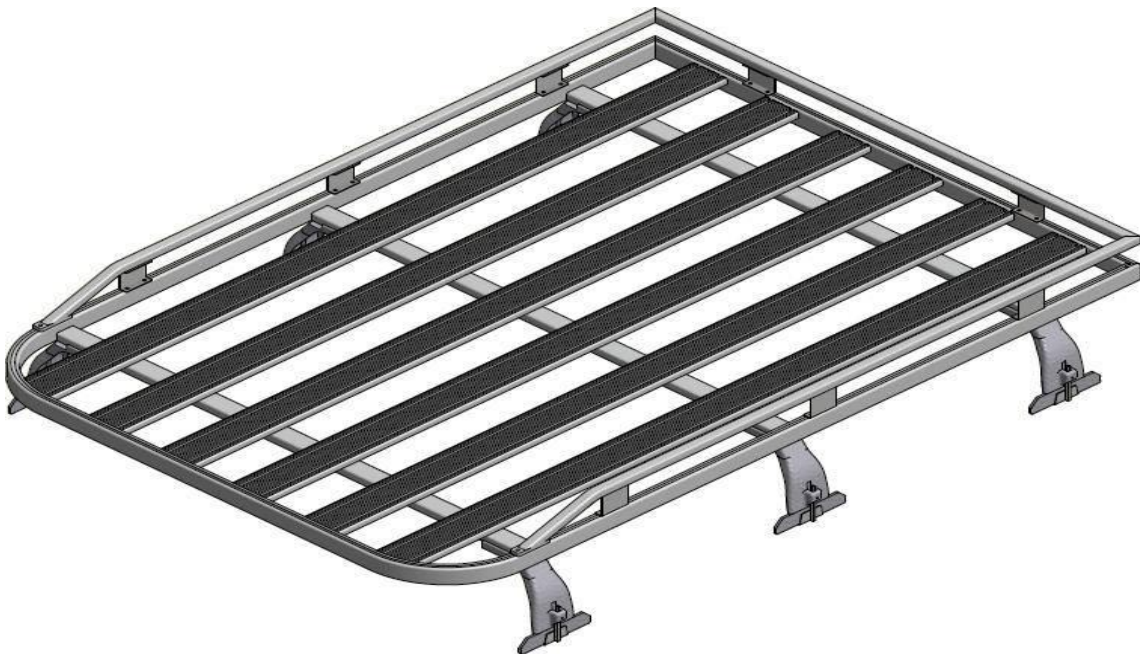


The Tembo 4x4 roofrack by Hannibal Europe



The 2014 roofrack design is ready!

Made in Holland instead of South Africa!

For improved, constant quality & reliable delivery times!

Lifetime Warranty !!

We call it the Tembo 4x4 roofracks - Tembo means Elephant in Swahili

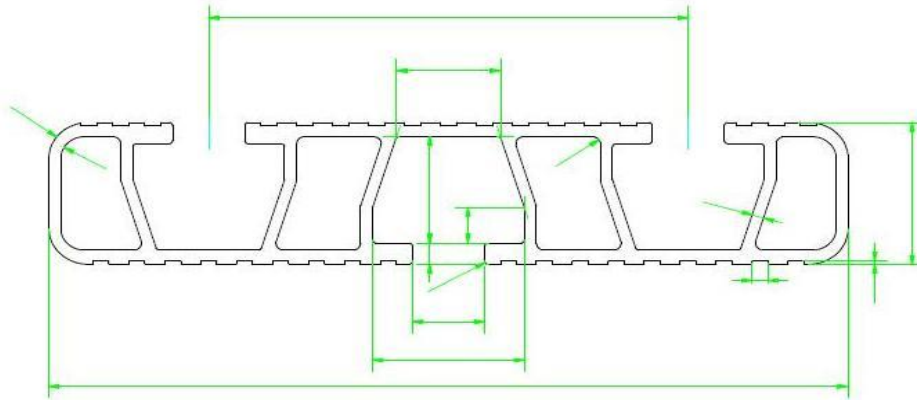
Available in March 2014 for following vehicles

Defender 90,110,130, Mercedes G-Wagon, Landcruiser HZJ78!

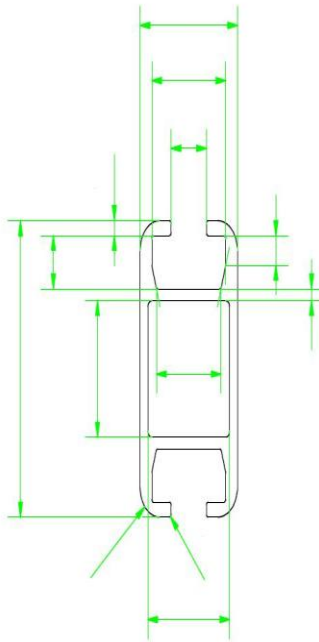
Other models coming soon, bespoke is possible!

The new design features a lot of improvements,

- Double 8mm bolt guide in top of the flooring
- Single 8mm bolt guide in the bottom of the flooring
- More stabile flooring

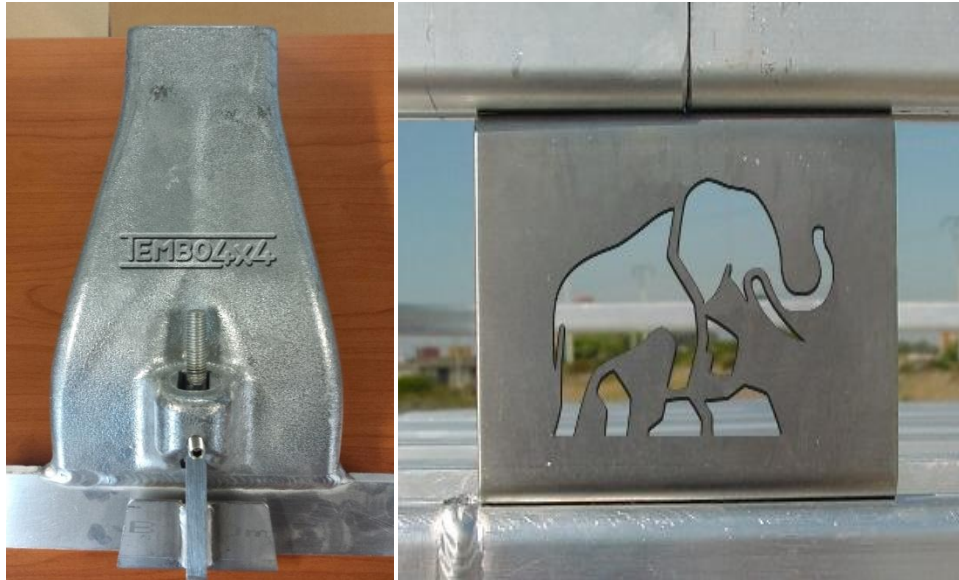


- 8mm Bolt guides in top & bottom of the side profile for easy fitment of accessories like Hi-lift & spade brackets, awnings, sand board holders etc.



Tembo 4x4 roofracks by Hannibal Europe

- Improved casted leg with better gutter clamp and more adjustability
- Stronger with less weight !



- Bolt guide in bottom of crossbars to make it possible to fit the roof rack bed to every type or brand of roof bar like Thule, Rhino, roll cages etc.

